

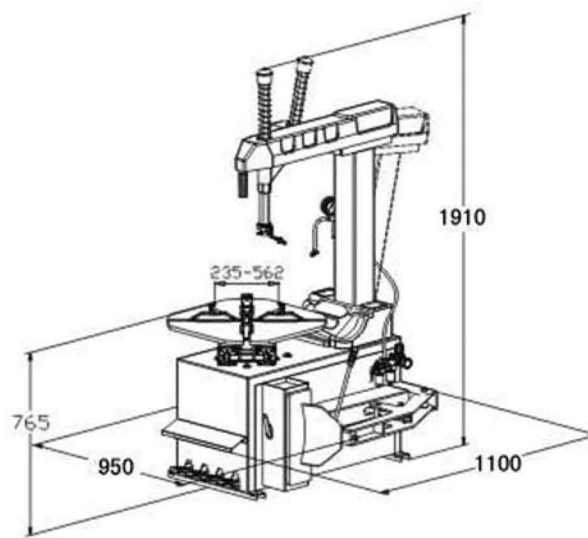
672HY: Super Automatic Tyre Changer With Air Operating Tilting of Column for Car, Motor cycle and Van Wheels. Rim diameter 10" to 23".

Powered by...



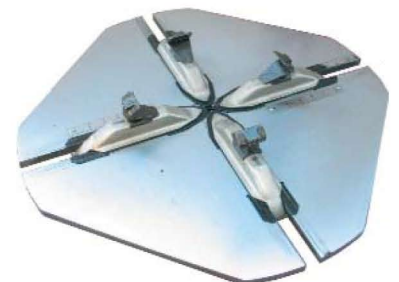
V-TECH UK
AUTOMOTIVE Diagnostic Solutions

Global Solutions for Local Markets



Other models available. Please ask for further information.

Octagonal turntable



672HY: Super Automatic Tyre Changer With Air Operating Tilting of Column for Car, Motor cycle and Van Wheels. Rim diameter 10" to 23".

TECHNICAL	672HY
Rim clamping from outside	10"-20"
Rim clamping from inside	13"-23"
Rim width	12"
Max. wheel diameter	1060 mm
Max. wheel width	280 mm
Bead-breaking cylinder force	2500 kg
Operating pressure	8 – 12 bar
Power supply	230/400V - 50 Hz-3 ph
Motor power	0,75 kW
Noise	70 dB(A) /1mt
Weight	220 Kg

STANDARD ACCESSORY
Inflating gauge
Tyre level
Oiler & filter
Set alloy rimsprotection
Greasepot holder

OPTIONAL

672HY SIST3 / 672HY SIST4 - Inflator