

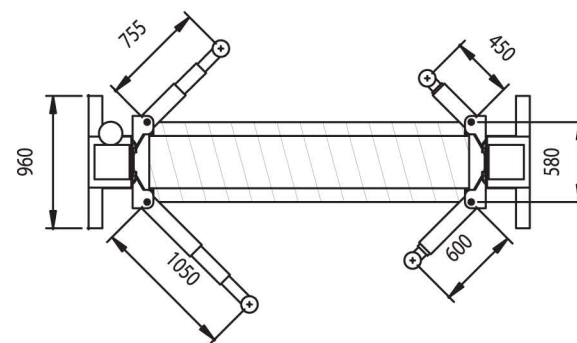
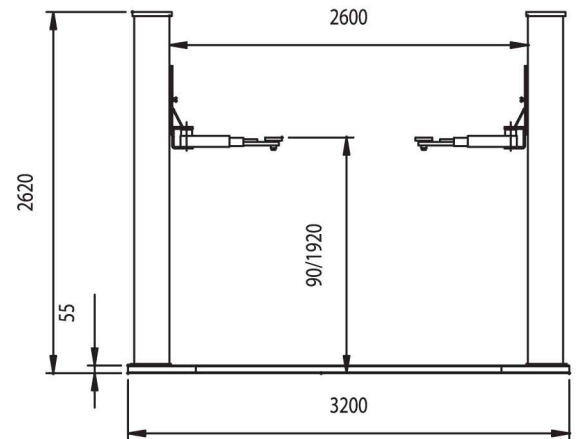
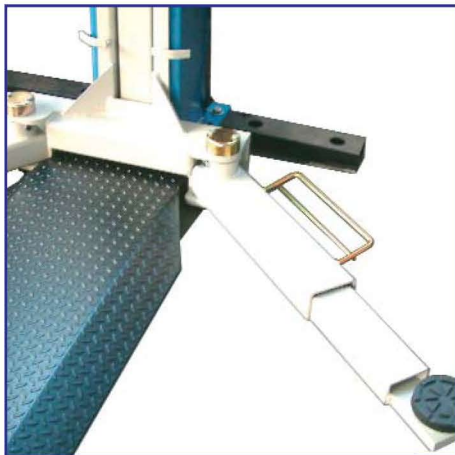
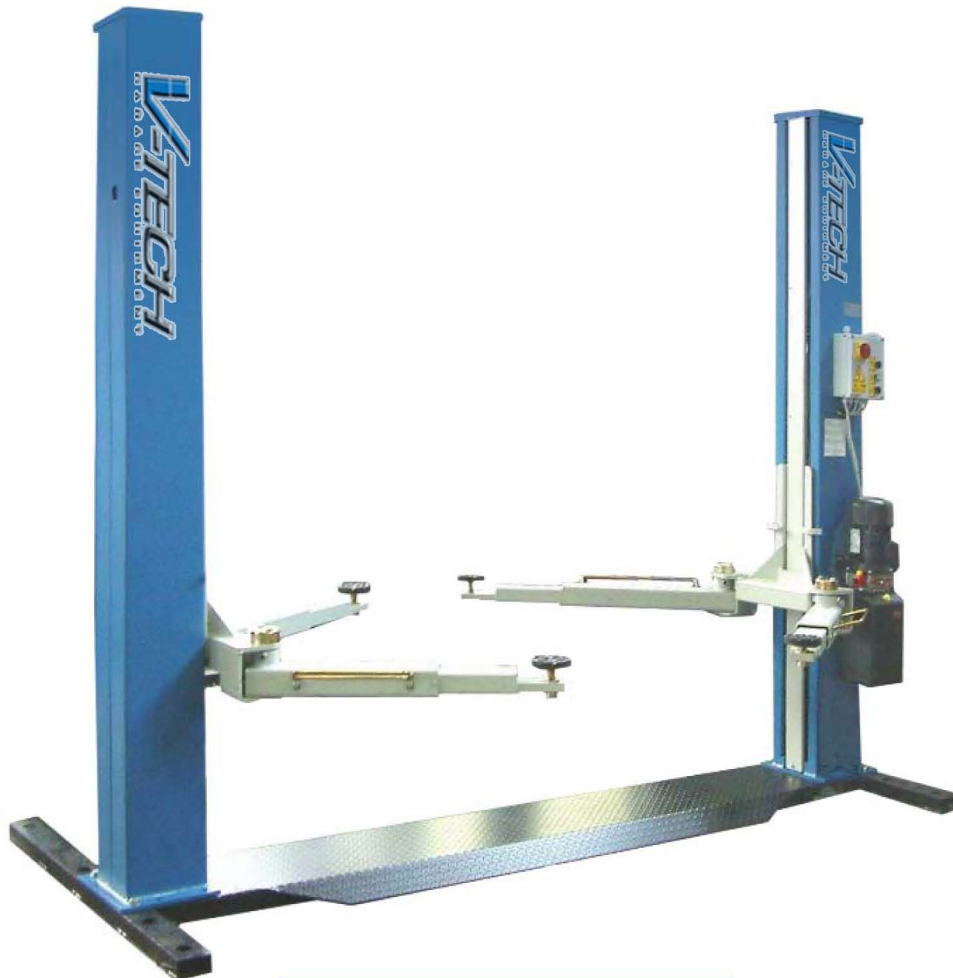
511C: Asymmetric Electro-Hydraulic 2 Post Lift 3.2 Tonne With 3 Stage Lowered Arms

Powered by...



V-TECH UK
Automotive Diagnostic Solutions

Global Solutions for Local Markets



- Electromechanical locking device in case of rope failure
- Automatic arm locking device
- Interchangeable screw pads
- Feet protection guards
- Overload safety-valve
- Descent control valve
- Safety-valve in case of sudden loss of pressure
- "Dead man" controls 24V
- Electrical controlled fall safety
- Safety device in case of rope failure

OPTIONALS

V511.1 – V513C.6

V513C.7 – V513C.8

Kit n° 4 prolunghe per tampone a vite

Kit n° 4 rallonges pour tampons à vis

Kit n° 4 quick coupling

Kit n° 4 Tragteller Verlängerte

V511.1 H = 60mm

V513C.6 H = 100mm

V513C.7 H = 170mm

V513C.8 H = 250mm



OPTIONAL

V511.5

Supporto per prolunghe

Support pour rallonges

Quick coupling support

Tragtellerträger



TECHNICAL		511C
Capacity	t	3.2
Three-phase motor	kw	2.2
Voltage	V/Hz	230-400/50
Lifting	sec	45
Descent	sec	45
Weight	kg	780